

*Life  
is in the  
details.®*



**Scroll  
Medical  
Air**





## The Solution That Fits

Designed to meet the needs of today's space conscious healthcare facilities, the LifeLine® Scroll Medical Air Package integrates state-of-the-art compressor technology within a dramatically reduced footprint. The result is an incredibly simple unit to maintain that fits the most challenging space constraints.

- *Incredibly small footprint*
- *Extremely low noise levels*
- *No vibration*
- *Desiccant drying system with integral purge control*
- *Single point connections*
- *Fully NFPA compliant package*
- *Models available from 2 hp duplex through 15 hp quadruplex*



## Maintenance Made Simple

Reducing maintenance workload has always been a BeaconMedæ's priority. Although the Scroll requires less maintenance than any other medical air compressor, BeaconMedæ's includes the "Hands Free Advantage" with every Scroll air system. With the "Hands Free Advantage", at 10,000 hours our trained service technician will perform, at no charge, a complete tune up of your scroll compressor.\* Your maintenance work is reduced to simple filter changes and routine inspections.

*\*US and selected international territories only*

**2-year complete package warranty.**

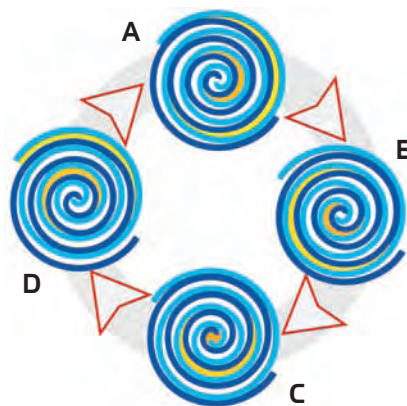
## Scroll Principle

**A**  
*One scroll moves while the other is fixed. Air is drawn into the annular space between the two...*

**B**  
*...and gets squeezed along as the annular space moves toward the center.*

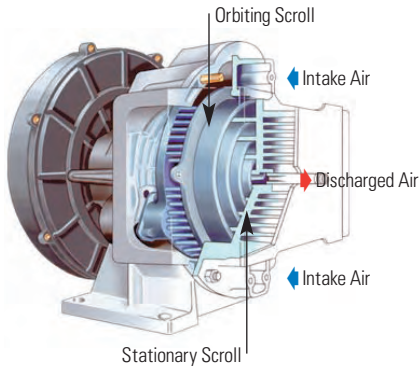
**C**  
*As the radius becomes shorter the annular space becomes smaller...*

**D**  
*...so when the air reaches the center, it is discharged under pressure.*



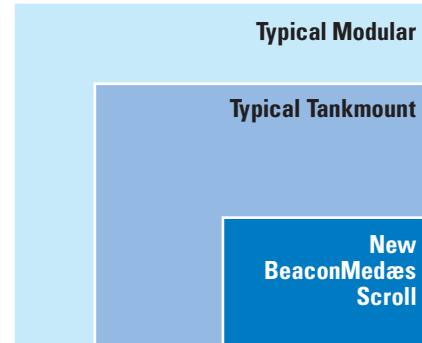
# oll Medical Air

Scroll Compressor Cutaway



## Saves Floor Space

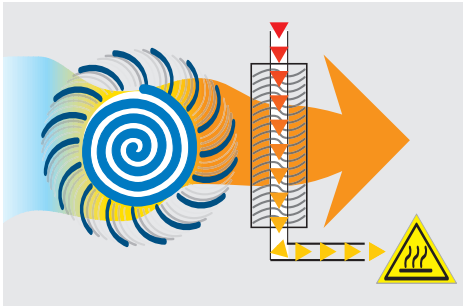
Space to locate any equipment is an issue for today's facility engineers and planners. Compared to other alternatives of the same air capacity, BeaconMedæ's scrolls can save up to 75% of the floor space required for the medical air system. Not only are installation costs reduced, but your options for locating your equipment are significantly enhanced. The Scroll provides space economy without sacrificing maintenance accessibility!



94.5" x 90"	= Total: 59 ft <sup>2</sup>	Space cost: \$11,812*
72" x 80"	= Total: 40 ft <sup>2</sup>	Space cost: \$8,000*
34" x 47.5"	= Total: 11.2 ft <sup>2</sup>	Space cost: \$2,243*

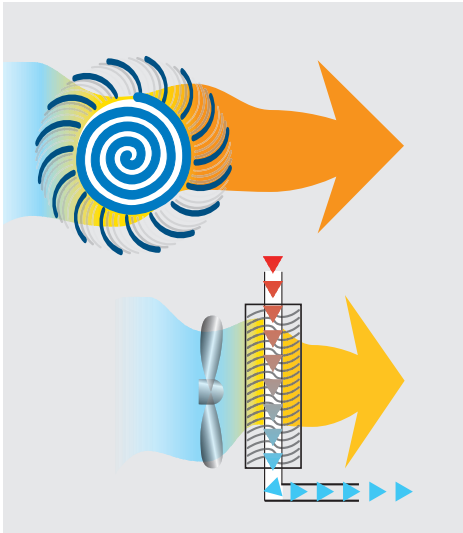
(\*Duplex 7.5 HP shown based on \$200./sq.ft.)

## Improved Aftercooler Design



*Cooling the aftercooler using the compressor fan sounds good, but...*

*...a compressor's outlet temperature can decrease aftercooler performance thereby affecting dryer operation.*



*BeaconMedæ's ensures proper aftercooler operation by letting the compressor fan cool only the compressor...*

*...and providing the aftercooler with it's own cool air.*

*Good aftercooler operation ensures good dryer performance.*

## Dry, Clean Medical Air

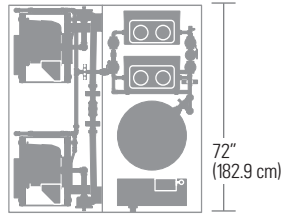
BeaconMedæ's Scroll packages are the best choice because of what went into the product's design before the first unit was ever shipped. BeaconMedæ's invested hundreds of design and testing hours to ensure that the packages work as you need them to work, every time. Many small but vital details include:

- *Finite Element Analysis of the package assures smooth, quiet operation and minimal vibration transmission to the building or piping.*
- *Unique aftercooler design ensures effective dryer operation even under heavy duty conditions.*
- *BeaconMedæ's proven desiccant dryers and filtration provide reliable, clean, dry air.*

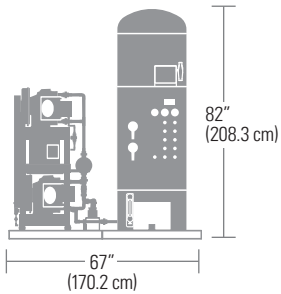
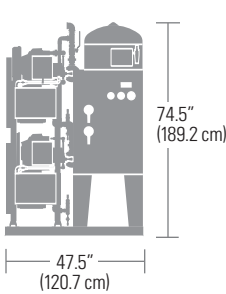
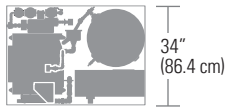
### Space Saving Configurations

BeaconMedæS offers the Scroll in a variety of formats designed for ease of installation, maintenance and above all, to save space over most other compressor types and configurations.

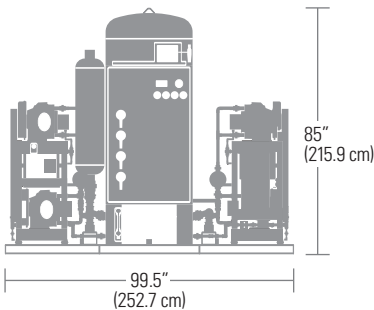
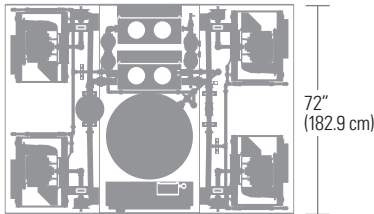
*10-15 HP Duplex*



*2.0-7.5 HP Duplex*



*10-15 HP Triplex-Quad (Quad shown)*



## Scroll Medical Air Specifications

Power <sup>1</sup>		System Capacity <sup>2</sup>			
HP	kW	50 psig (345 kPa)		120 psig (827 kPa)	
		CFM	lpm	CFM	lpm
<b>DUPLEX</b>					
2.0	1.5	7.0	198	6.5	184
3.0	2.2	10.4	294	9.6	272
5.0	3.7	17.2	487	16.0	453
7.5	5.5	25.2	714	24.0	680
10.0	7.5	34.8	985	32.0	906
15.0	11.0	50.4	1,427	48.0	1,359
<b>TRIPLEX</b>					
10.0	7.5	69.6	1,971	64.0	1,812
15.0	11.0	100.8	2,854	96.0	2,718
<b>QUADRUPLEX</b>					
10.0	7.5	104.4	2,956	96.0	2,718
15.0	11.0	151.2	4,281	144.0	4,078

<sup>1</sup> Power is nameplate motor HP.

kW is a conversion from horsepower.

<sup>2</sup> All capacities are calculated using NFPA 99 (reserve compressor on standby) and are shown as Inlet (units) per Minute (ICFM or lpm).

### BeaconMedæS

*A company within the Atlas Copco Group*

1800 Overview Drive

Rock Hill, SC 29730

Tel: 888.4MEDGAS (463.3427)

www.beaconmedaes.com

## Scroll Medical Air